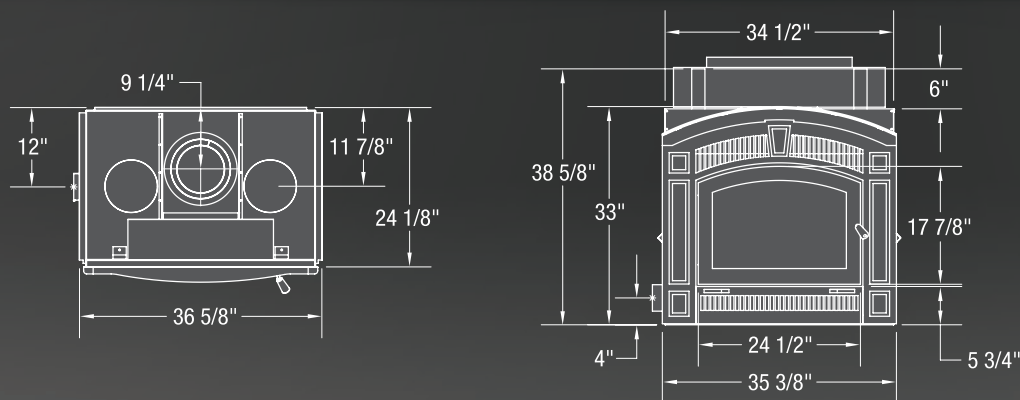




THE PEARL FIREPLACE

Renowned for quality construction and market leading performance, the Pearl, like all RSF fireplaces is built to last a lifetime and is an excellent addition to any home. The Pearl is crafted with the perfect combination of refined, yet rustic styling. Advanced wood burning technology restricts smoky emissions and maximizes heat efficiency. Capable of heating 1,500 square feet, the Pearl can be outfitted with an optional Heat Dump blower to ensure your comfort. Unlike a wood stove, excess heat from the fireplace can be drawn to the basement or an adjacent room with the flick of a switch.



- Heats up to 1500 square feet
- Takes 16" logs
- 2.1 cubic foot firebox
- EPA Phase II approved
- Options include
 - Internal Blower, Heat Dump, Gravity Vents

**Distance from the bottom of the fireplace to the top of the door opening is 22"*