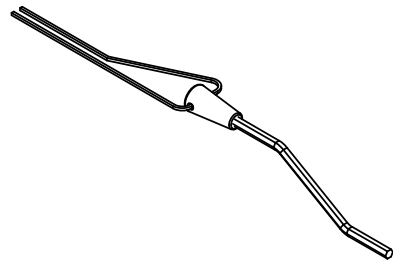
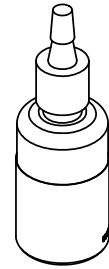


ER-RA0923
Guillotine Door Removable Handle

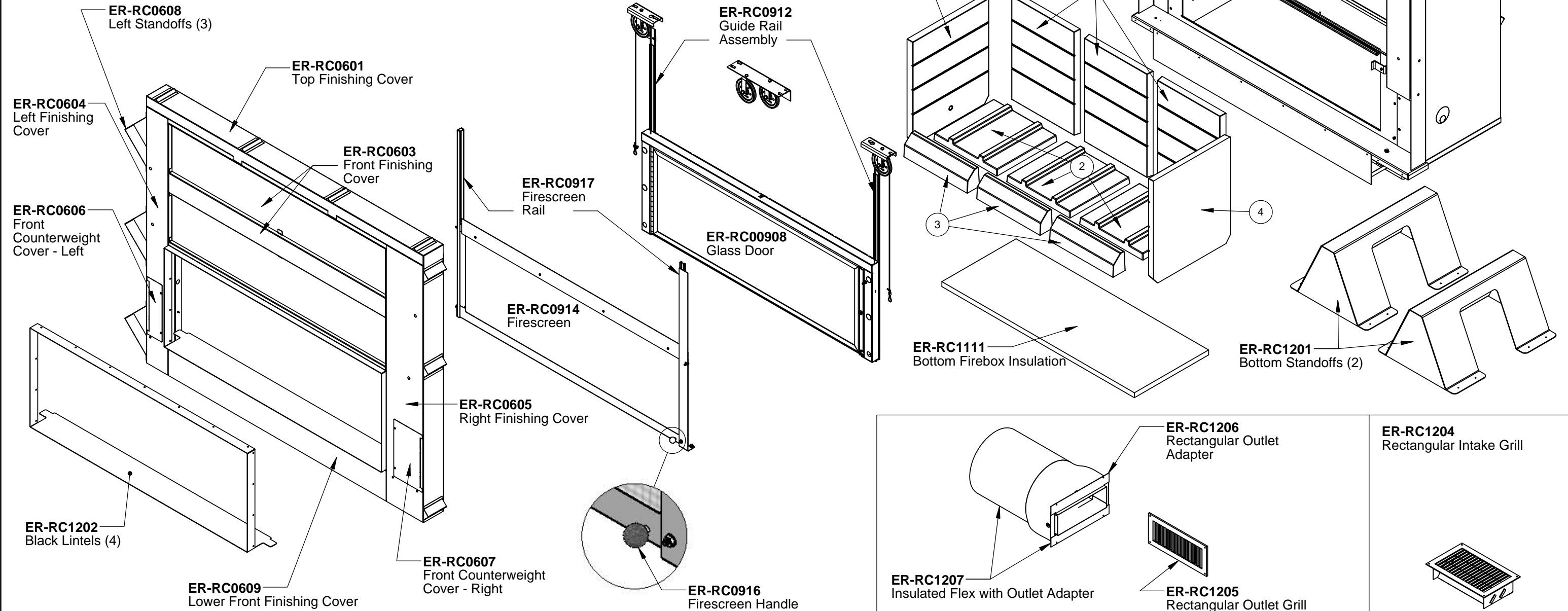


FR-14.17.85
High Temperature Grease

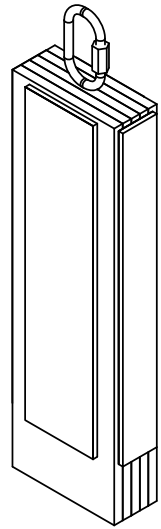


EO-RC1101
Refractory Bricks Assembly

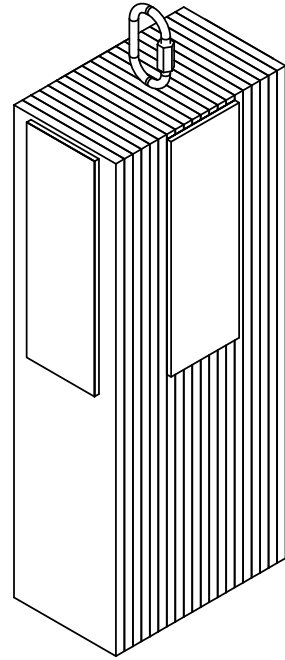
#	Code	Qty
1	ER-RC1102	3
2	ER-RC1103	3
3	ER-RC1104	3
4	ER-RC1105	2



ER-RC0938
Firescreen
Counterweight



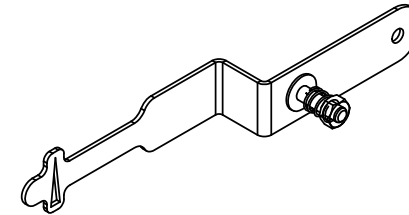
ER-RC0901
Door Counterweight



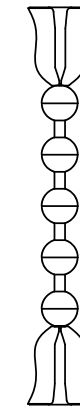
ER-RC0902
Counterweight Cable



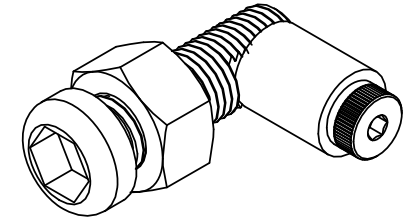
ER-RC0501
Outside Air Control



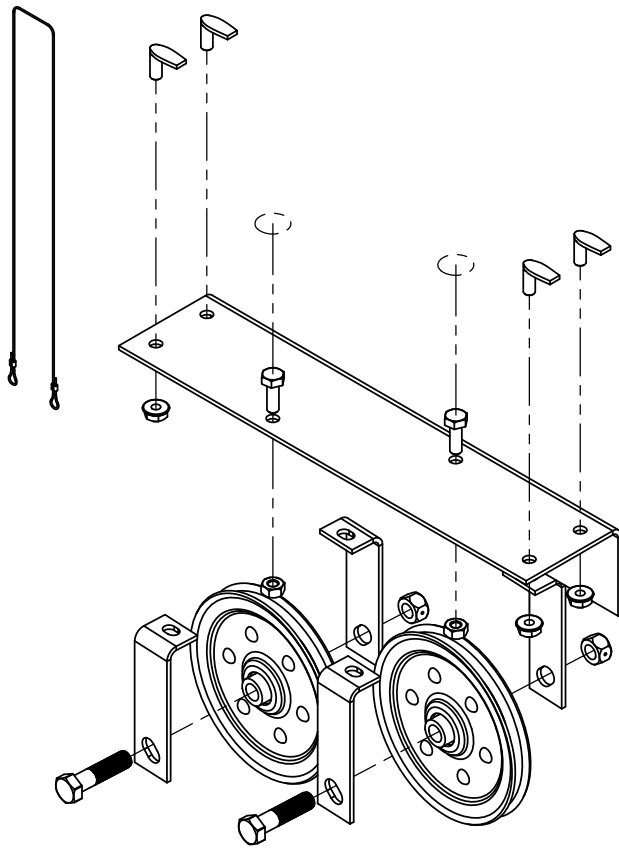
99.06.03.L
Outside Air Control Chain



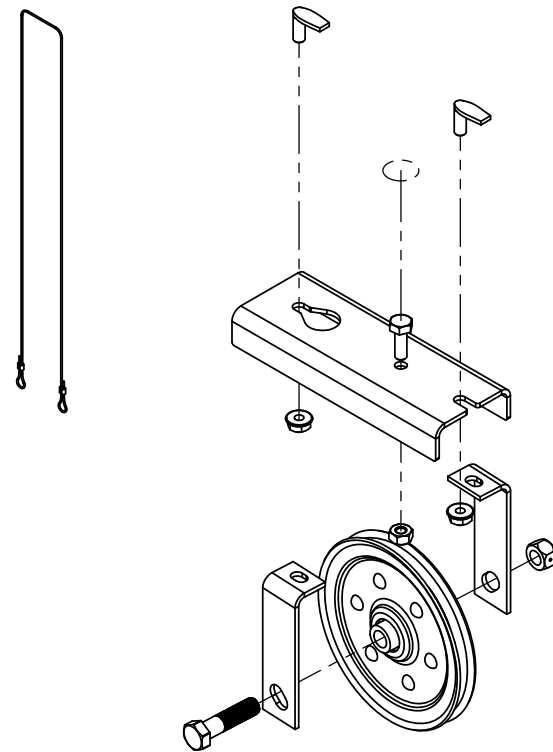
ER-RA0928
Glass door latch



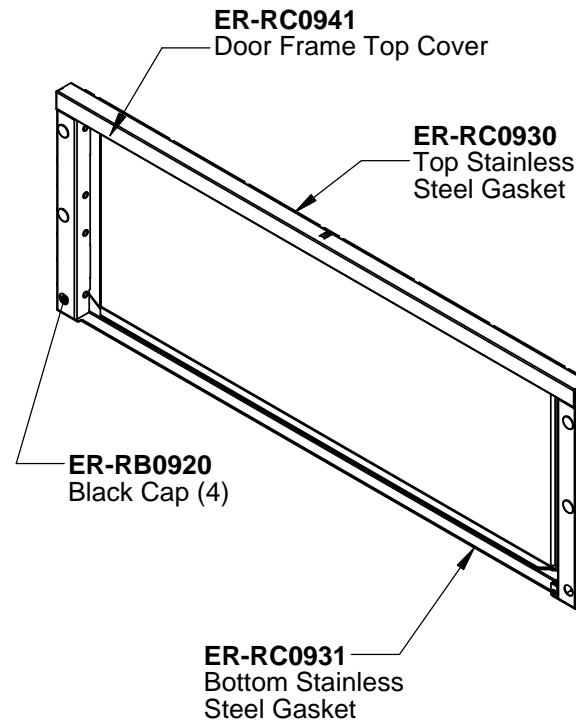
ER-RC0922
Center Pulley Support and cable



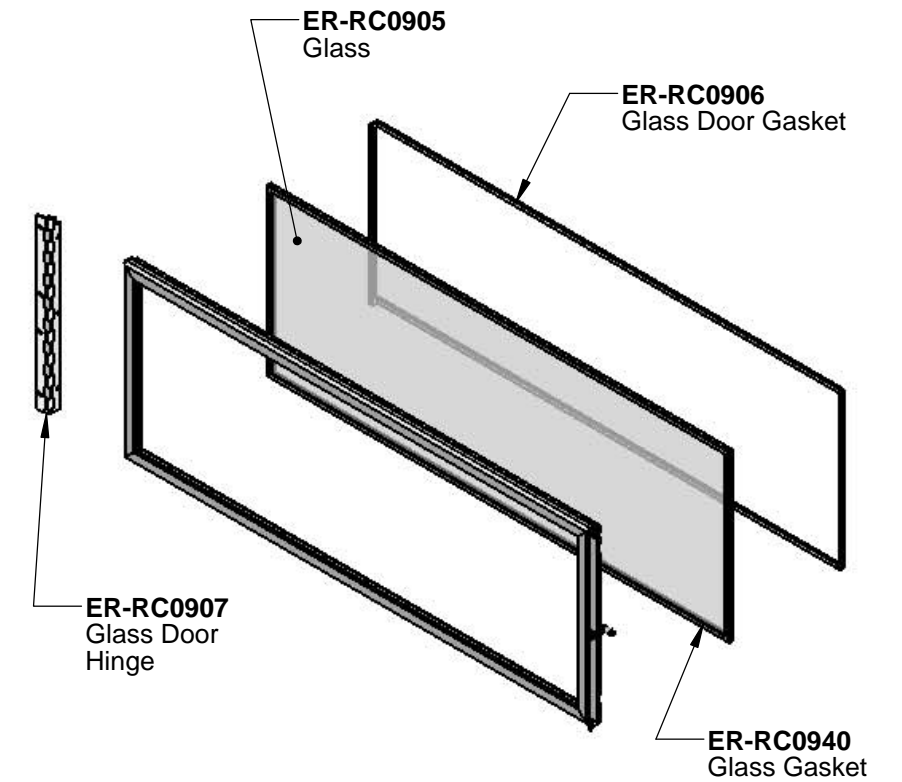
ER-RC0921
Left or right Pulley Support and cable



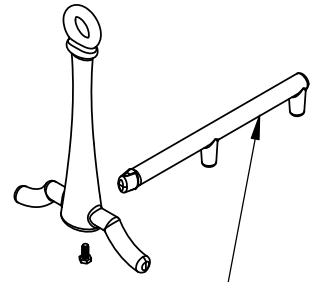
ER-RC0911
Guillotine Door Frame



ER-RC0908
Complete Glass Door

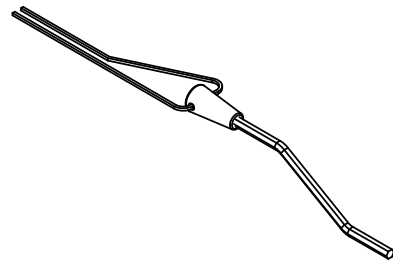


ER-RA1201
Andrion (2)

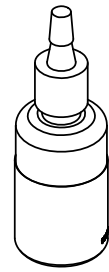


ER-RA1202
Andrion Back Leg

ER-RA0923
Guillotine Door Removable Handle



FR-14.17.85
High Temperature Grease



ER-RA0918
Left Counterweight Cover

ER-RA1117
Firebox Insulation Assembly

ER-RA0937
Guide Rail Assembly

EO-RB1000
Refractory Bricks Assembly

ER-RA0934
Firescreen Rail Left

ER-RA0602
Upper Front
Finishing Cover

ER-RA0601
Top Finishing
Cover

ER-RA0603
Front Finishing Cover

ER-RA0604
Left Finishing
Cover

ER-RA0606
Front
Counterweight
Cover

ER-RA0924
Black Lintels (3)

ER-RA0609
Lower Front Finishing Cover

ER-RA0605
Right Finishing Cover

ER-RA0933
Firescreen

ER-RA0929
Complete
Glass Door

ER-RA0939
Counterweight Cable

ER-RA0935
Firescreen Rail Right

ER-RA0916
Firescreen Handle

ER-RA1148
Hearth Threshold

ER-RA0919
Right
Counterweight
Cover

EO-VP1000
Vermiculite Panels
Assembly



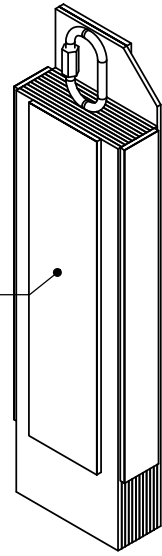
RUMFORD 1000B



DATE	REV.
2016-09-02	01

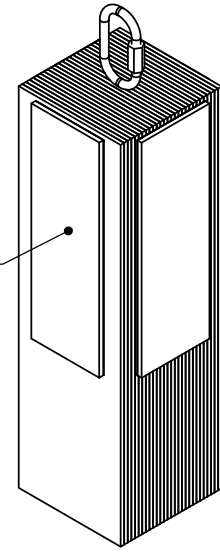
ER-RA0938
Firescreen Counterweight

ER-RA0903
Counterweight
Felt (4)



ER-RA0901
Door Counterweight

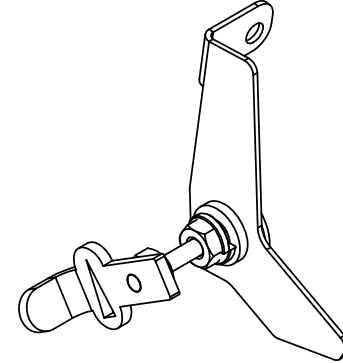
ER-RA0903
Counterweight
Felt (4)



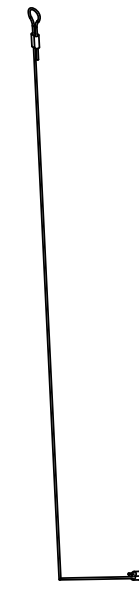
ER-RA0939
Counterweight cable



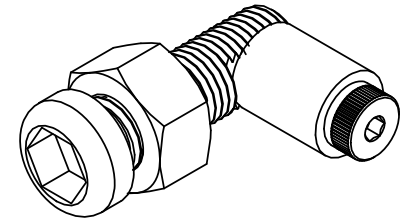
ER-RA0501
Outside air control



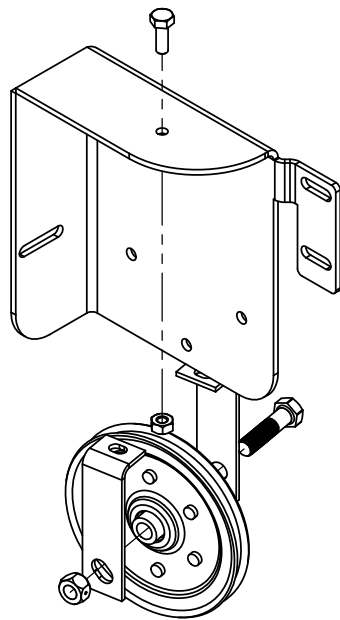
ER-RA0502
Outside air control cable



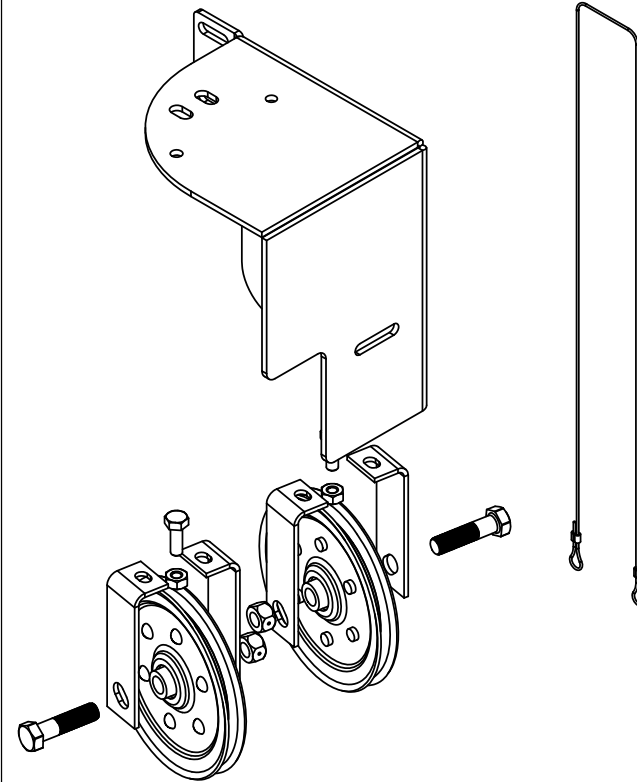
ER-RA0928
Glass Door Latch



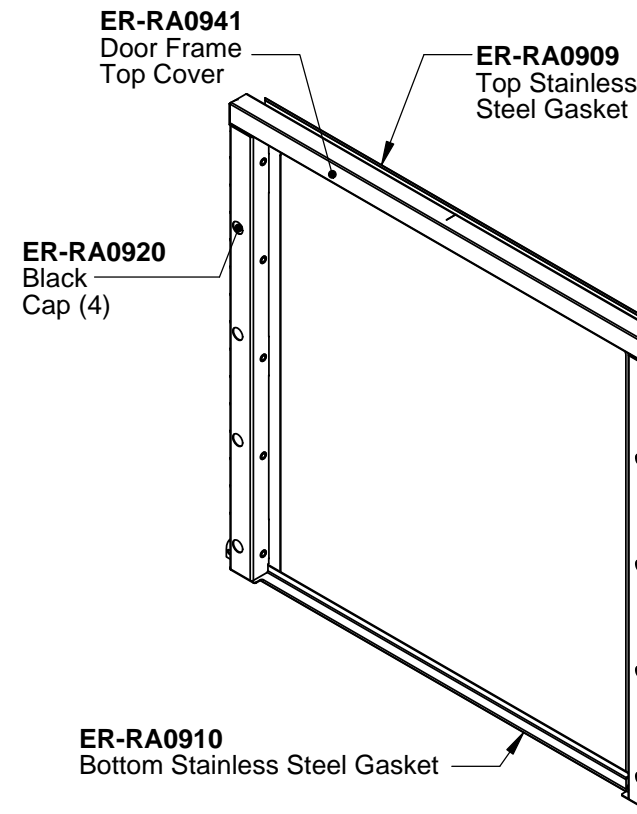
ER-RA0921
Left Pulley Support and cable



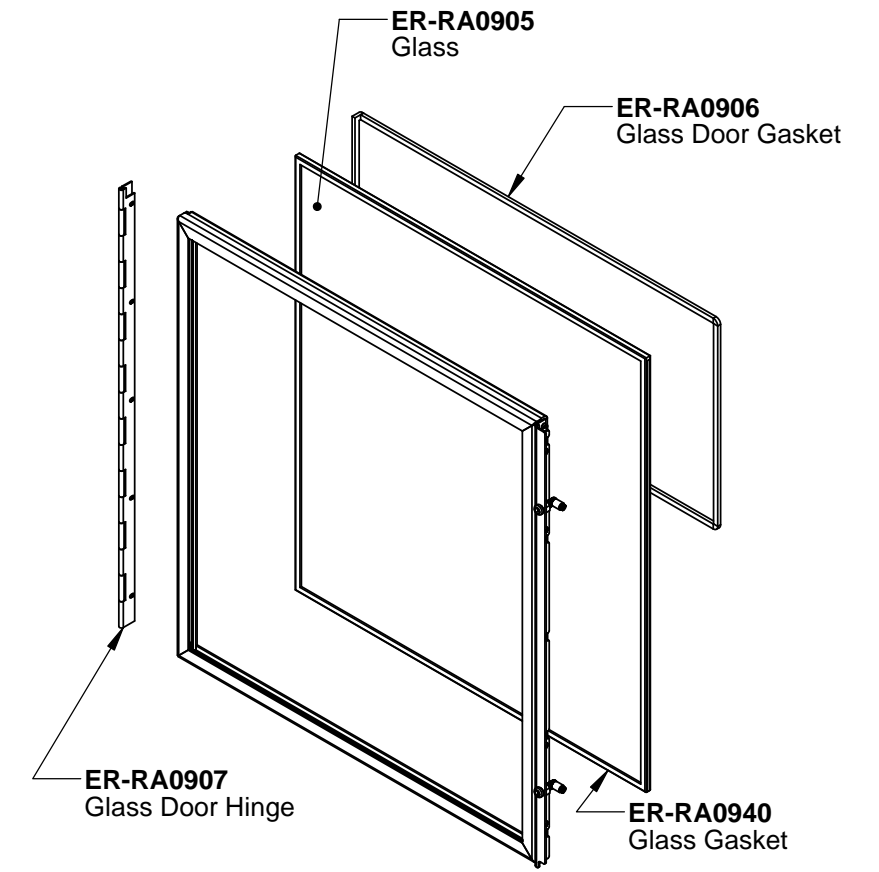
ER-RA0922
Right Pulleys Support and cable



ER-RA0911
Guillotine Door Frame

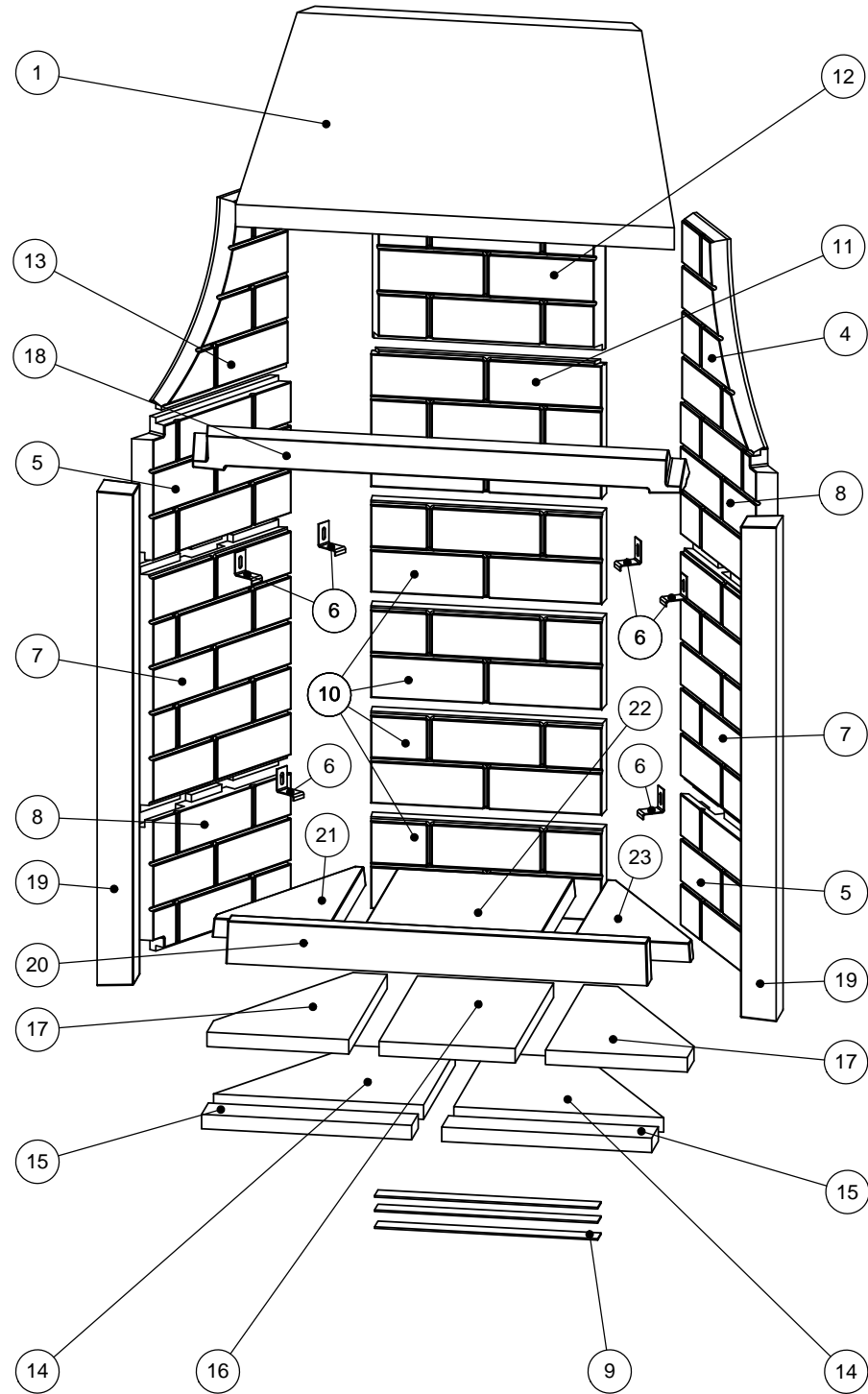


ER-RA0929
Complete Glass Door



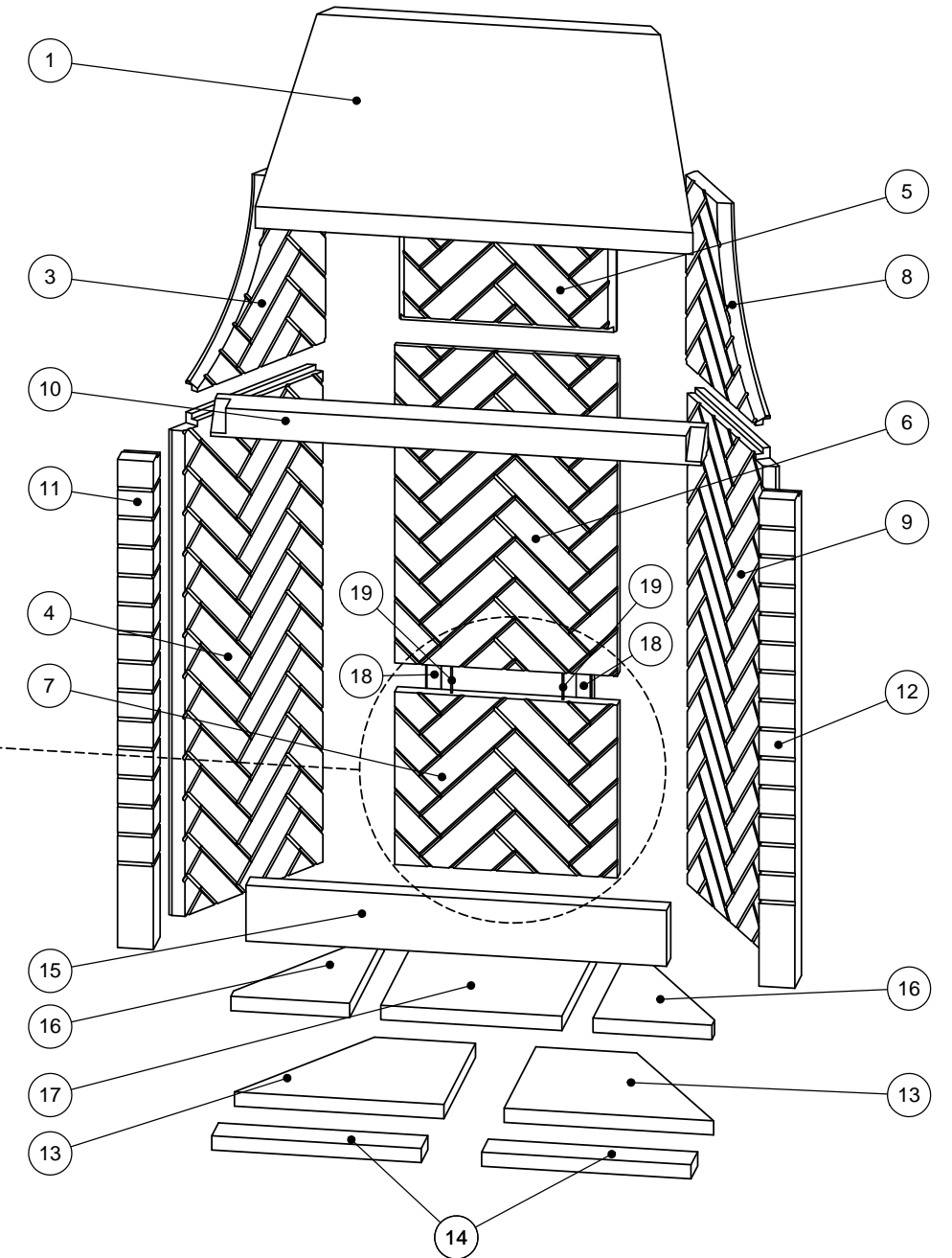
#	Code	Qty
1	ER-RA1109	1
4	ER-RA1130	1
5	ER-RA1131	2
6	ER-RA1132	6
7	ER-RA1133	2
8	ER-RA1134	2
9	ER-RA1135	3
10	ER-RA1136	4
11	ER-RA1137	1
12	ER-RA1138	1
13	ER-RA1139	1
14	ER-RA1128	2
15	ER-RA1127	2
16	ER-RA1140	1
17	ER-RA1141	2
18	ER-RA1142	1
19	ER-RA1143	2
20	ER-RA1144	1
21	ER-RA1145	1
22	ER-RA1146	1
23	ER-RA1147	1

EO-RB1000B
Refractory Bricks Assembly (Cement)

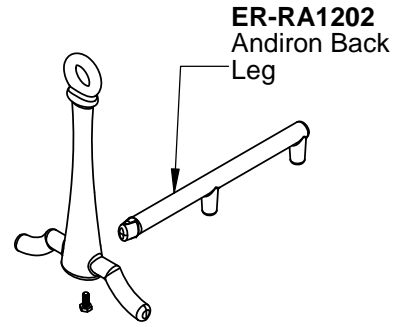


#	Code	Qty
1	ER-RA1109	1
3	ER-RA1122	1
4	ER-RA1121	1
5	ER-RA1120	1
6	ER-RA1119	1
7	ER-RA1118	1
8	ER-RA1124	1
9	ER-RA1123	1
10	ER-RA1103	1
11	ER-RA1107	1
12	ER-RA1108	1
13	ER-RA1128	2
14	ER-RA1127	2
15	ER-RA1102	1
16	ER-RA1126	2
17	ER-RA1125	1
18	ER-RA1151	2
19	ER-RA1150	2

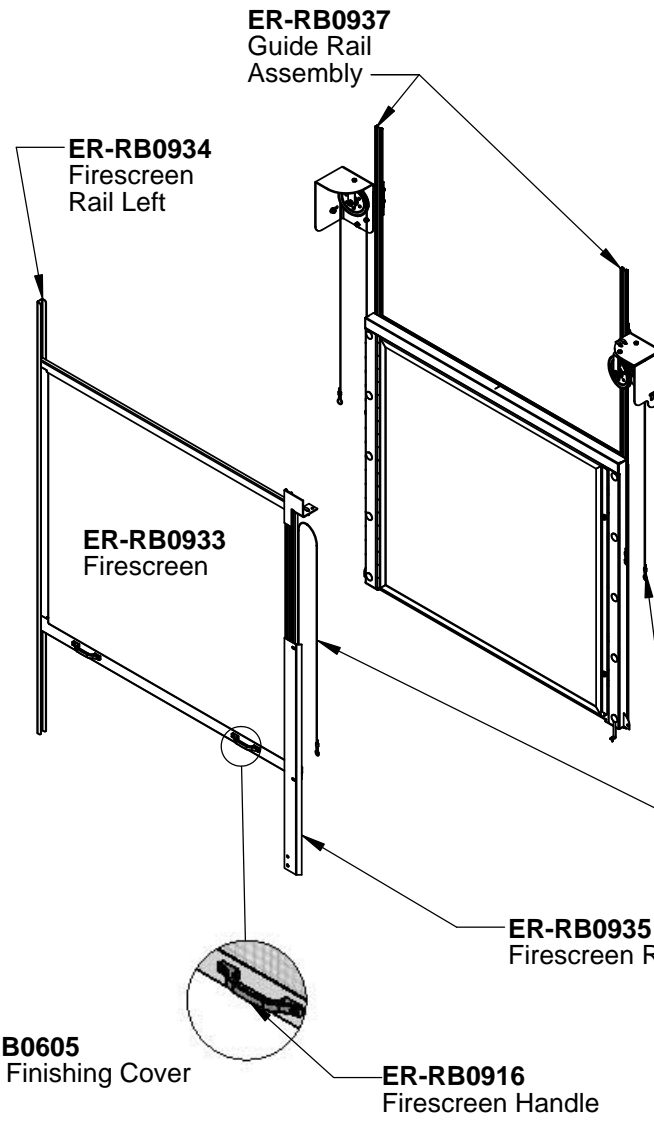
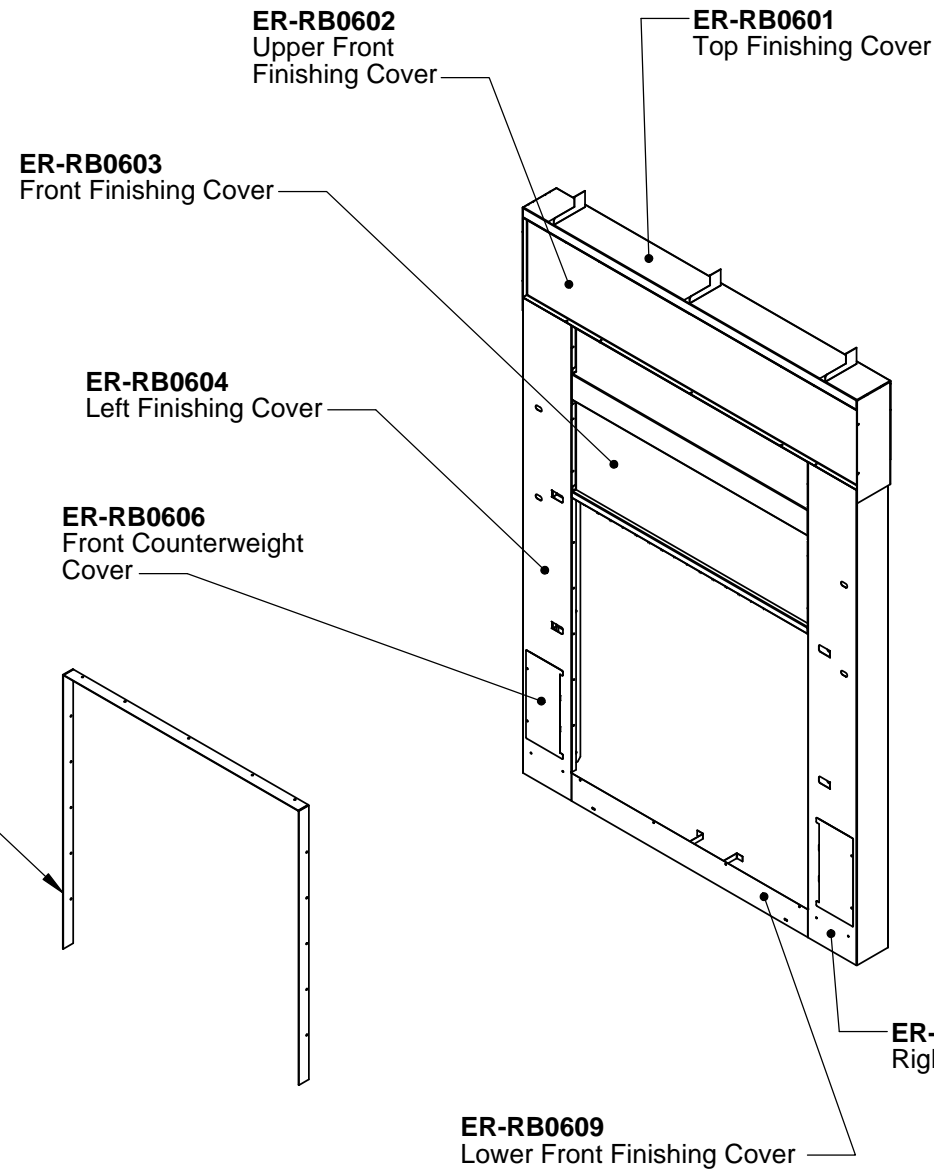
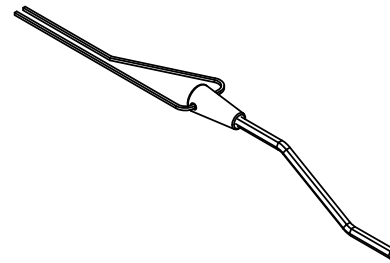
EO-VP1000
Refractory Bricks Assembly (Vermiculite)



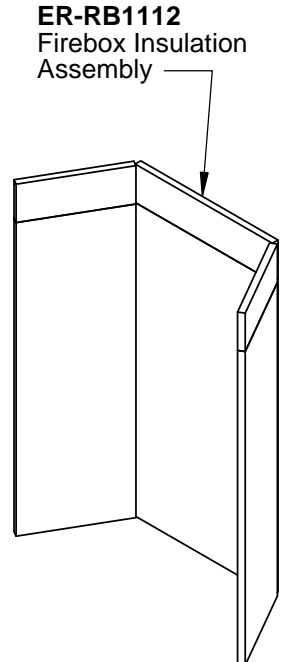
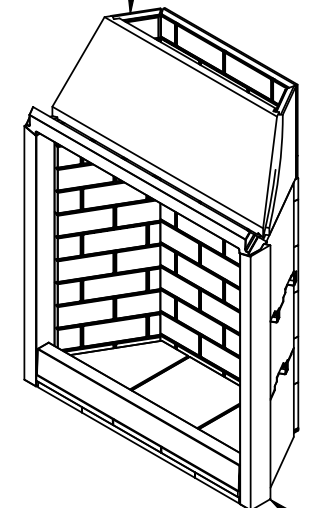
ER-RA1201
Andiron (2)



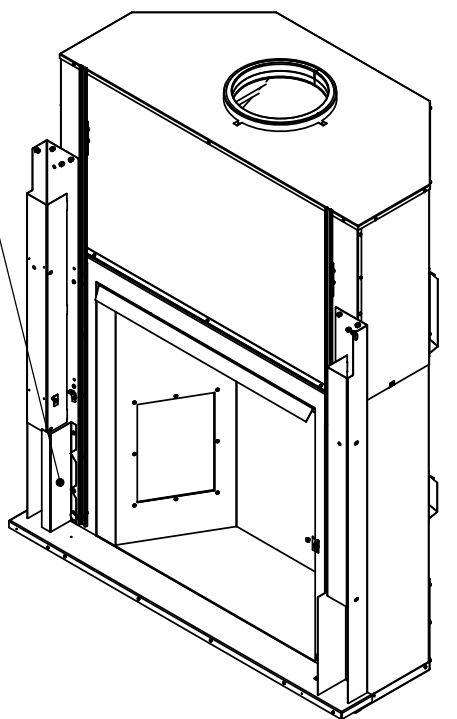
ER-RA0923
Guillotine Door Removable Handle



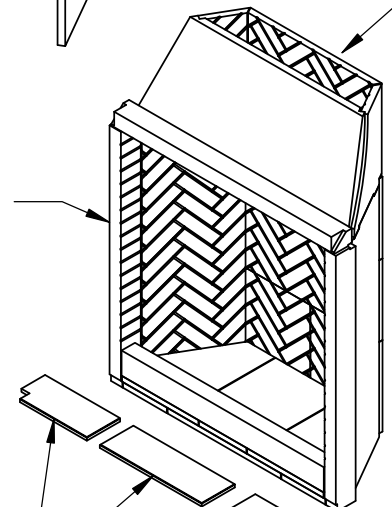
EO-RB1500
Refractory Bricks
Assembly (Cement)



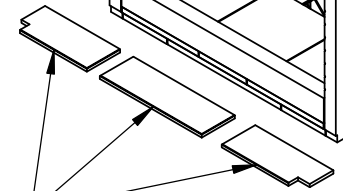
ER-RB0918
Counterweight
Cover



EO-VP1500
Vermiculite
Panels
Assembly



ER-RB1147
Hearth Treshold



OR

ER-RB0927
Counterweight Cable

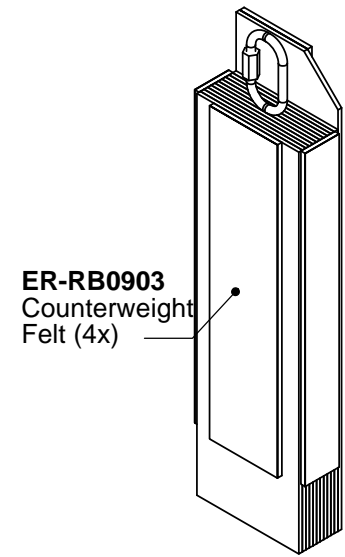


RUMFORD 1500B

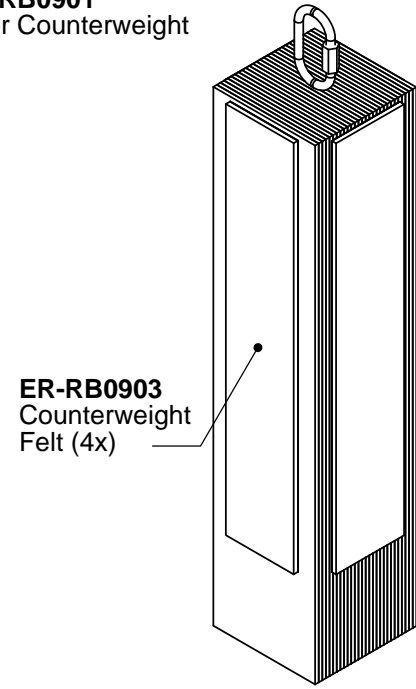


DATE	REV.
2016-09-02	01

ER-RB0938
Firescreen
Counterweight



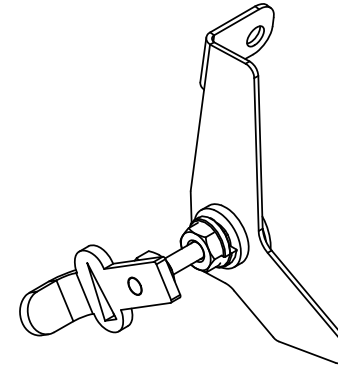
ER-RB0901
Door Counterweight



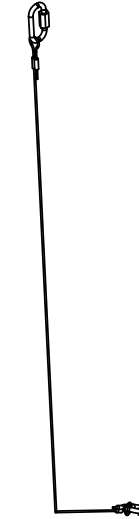
ER-RB0927
Counterweight Cable



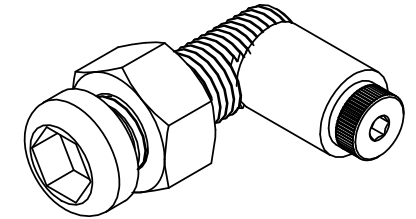
ER-RA0501
Outside air control



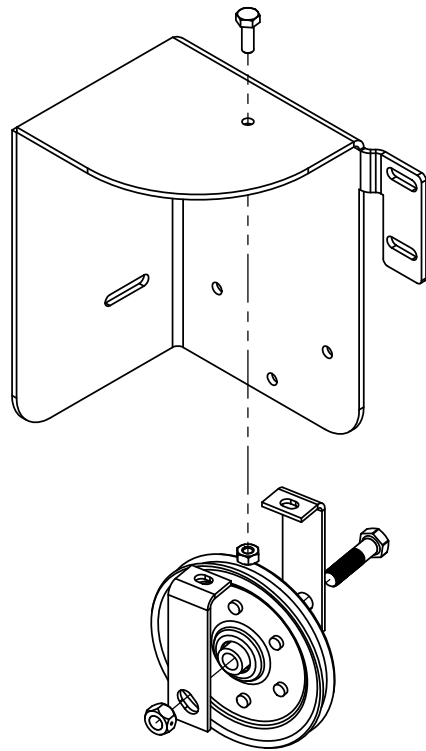
ER-RA0502
Outside air control cable



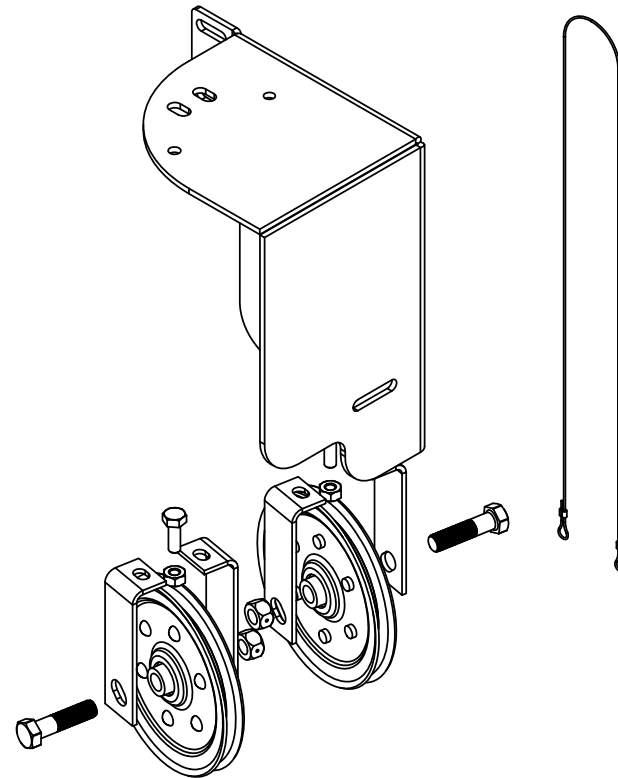
ER-RA0928
Glass door latch



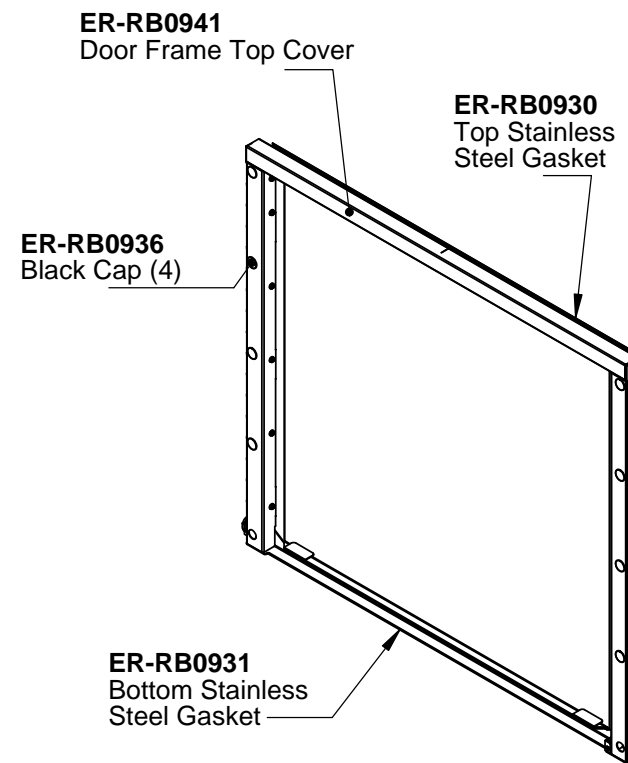
ER-RB0921
Left Pulley Support Assembly



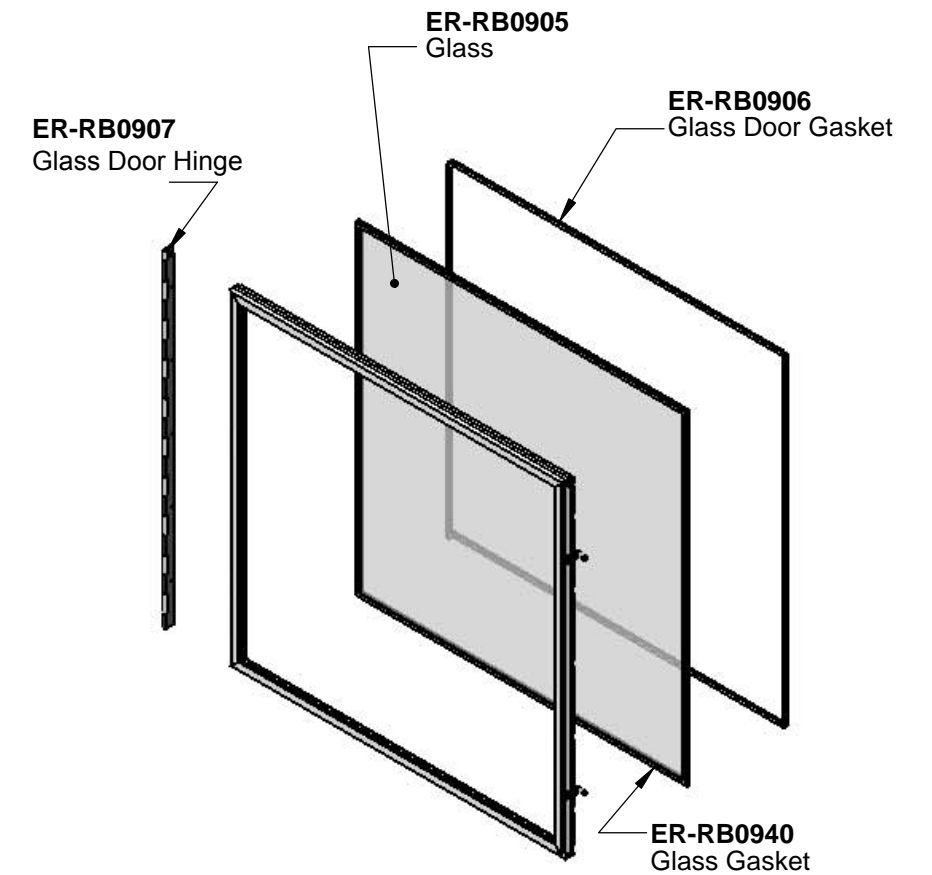
ER-RB0922
Right Pulleys Support Assembly



ER-RB0932
Guillotine Door Frame

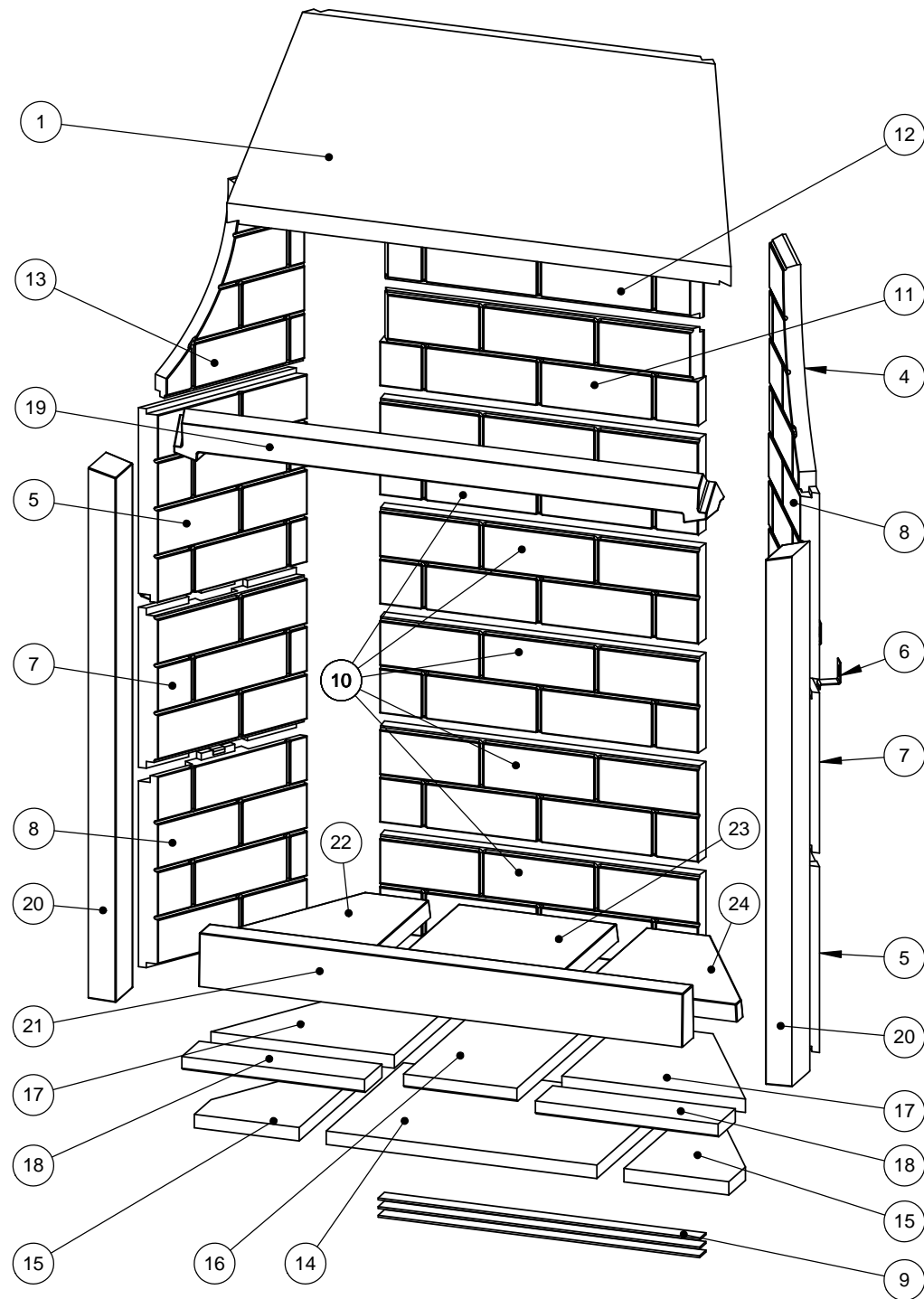


ER-RB0929
Complete Glass Door



#	Code	Qty
1	ER-RB1109	1
4	ER-RB1131	1
5	ER-RB1132	2
6	ER-RB1133	6
7	ER-RB1134	2
8	ER-RB1135	2
9	ER-RB1136	3
10	ER-RB1137	5
11	ER-RB1138	1
12	ER-RB1139	1
13	ER-RB1140	1
14	ER-RB1117	1
15	ER-RB1118	2
16	ER-RB1116	1
17	ER-RB1114	2
18	ER-RB1115	2
19	ER-RB1141	1
20	ER-RB1142	2
21	ER-RB1143	1
22	ER-RB1144	1
23	ER-RB1145	1
24	ER-RB1146	1

EO-RB1500
Refractory Bricks Assembly (Cement)



#	Code	Qty
1	ER-RB1109	1
3	ER-RA1151	2
4	ER-RB1148	1
5	ER-RB1126	1
6	ER-RB1127	1
7	ER-RB1120	1
8	ER-RA1150	6
9	ER-RB1119	1
10	ER-RB1121	1
11	ER-RB1122	1
12	ER-RB1123	1
13	ER-RB1124	1
14	ER-RB1125	1
15	ER-RB1117	1
16	ER-RB1118	2
17	ER-RB1116	1
18	ER-RB1114	2
19	ER-RB1115	2
20	ER-RB1103	1
21	ER-RB1107	1
22	ER-RB1108	1
23	ER-RB1102	1
24	ER-RB1129	2
25	ER-RB1128	1

EO-VP1500
Refractory Bricks Assembly (Vermiculite)

