

EO-VP1500 RUMFORD 1500B – Vermiculite Panels Kit

The Vermiculite Panels Kit allows you to line your RUMFORD 1500B fireplace.

Before you begin the installation, please take note:

- Make sure the bottom of firebox is cleaned before starting the installation.
- Even though all components can be easily installed by one person, you might find the installation easier with a partner handing you one component at the time.
- Three different types of components are used: semi-rigid and rigid insulation panels, vermiculite panels.
- Vermiculite panels with varying densities are used. Some individual panels, which are not to be meant to be bumped by wood logs, are more fragile than others. Please handle them carefully during the installation.
- Rigid insulation panels are fragile. Please handle them carefully during the installation. Nevertheless, if an insulation panel is cracked you can still install it as long as you make sure to install all its pieces correctly.
- This firebox lining has been designed specifically for the RUMFORD 1500B. No modifications are required to ensure a proper fit.

Please refer to Figure 6 to see an overview of all the vermiculite panels together.

VERMICULITE PANELS INSTALLATION

Please refer to Figure 1 while following the installation procedure below:

1. First, find the throat refractory brick (1). The insulation panels (2) are already installed in your fireplace.
2. Take the throat refractory brick (1) and hold the wider part of the throat refractory brick with your two hands, flat face towards you. Place yourself down on your knees in front of the fireplace opening. Tilt and slide the throat refractory brick inside the firebox along the flue divider at the top of firebox. Slowly slide the throat refractory brick up so you can lay it on the $\frac{5}{8}$ " bend. Let the throat refractory brick tilt back. It will stay in place by itself.
3. Place the two shorter refractory support brackets (3) against the back insulation panel so that they are centered and 8" apart as shown in Figure 1. They provide a sturdy backing for both the lower back refractory bricks and the middle back refractory brick. Use the brackets as a straight edge and cut a slit in the back insulation panel and insert the refractory support brackets so they can rest firmly against the back wall of the firebox.

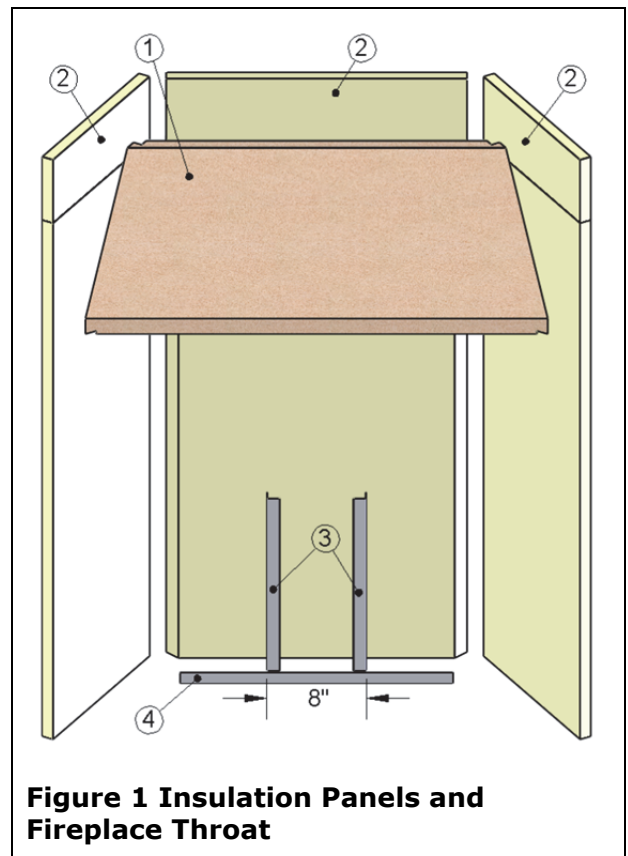


Figure 1 Insulation Panels and Fireplace Throat

- Place the longer refractory support bracket (4) on the bottom of the firebox in front of the other two support brackets in the orientation shown in Figure 1.

Refer to Figure 2 while continuing the installation procedure:

- Have the nine refractory bricks and all six copper wires (four bricks for the sides and five for the back, parts 5 through 14) handy. The rest will be installed at later.

- Make sure the throat refractory brick (1) is push to the right. Install the lower left side refractory brick (5), trimmed part up. Hold it with one hand or place it on a slight angle so it stays in place.

- Insert the upper left side refractory brick (6) on the left side of firebox all the way to the top. Ensure that it goes behind the support at the top of the firebox and try not to knock the brick against the support. Gently slide the upper left side refractory brick down to interlock the refractory bricks together. They will stay in place by themselves.

- Tilt the throat refractory brick (1) vertically and slide it as far left as it will go, inserting its tab into the round cut of the upper left side refractory brick (6).

- Take the left lower back refractory brick (7) and the right lower back refractory brick (9) and gently insert the copper wires (8) in the holes to tie them together before placing them against the back wall of the firebox. Hold them with one hand.

- While holding the lower back refractory bricks (7 and 9), insert the copper wires (8) in the lower panels. Insert the lower middle back refractory brick (10) against the back of the firebox above the bricks already in place. Carefully slide down the lower middle back refractory brick to mate all three bricks together. Now hold the lower middle back refractory brick (10) in place.

- While holding the lower middle back refractory brick (10), insert the copper wires (8) in the lower middle panel. Insert the upper middle back refractory brick (11) against the back of the firebox above the bricks already in place. Carefully slide down the upper middle back refractory brick to mate the bricks together. Now move your hand to hold the upper middle back refractory brick (11).

- While holding the upper middle back refractory brick (11), place the upper back refractory brick (12) against the back of the firebox above the bricks already in place. Insert it behind the supports at the top of the firebox and be careful not to knock the brick against any of those supports. Carefully slide down the upper back refractory brick to interlock the bricks. The bricks will now stay in place by themselves.

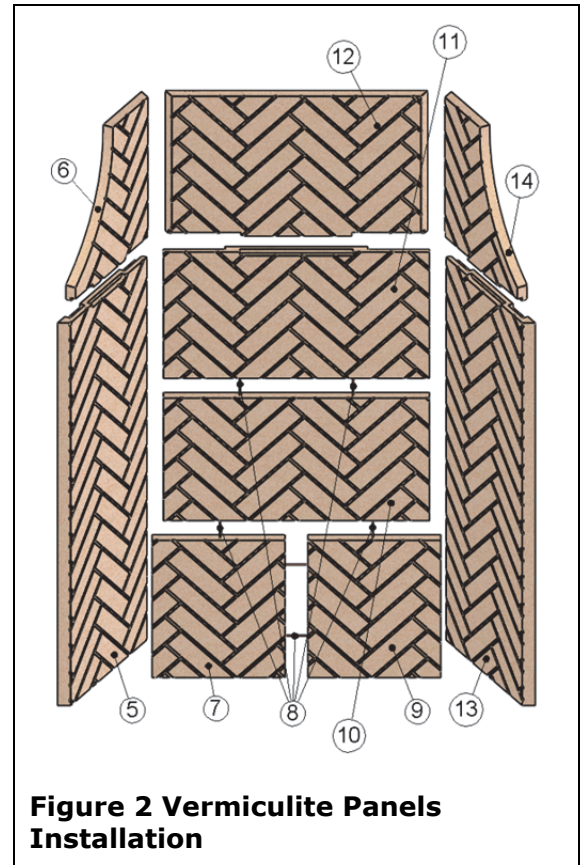
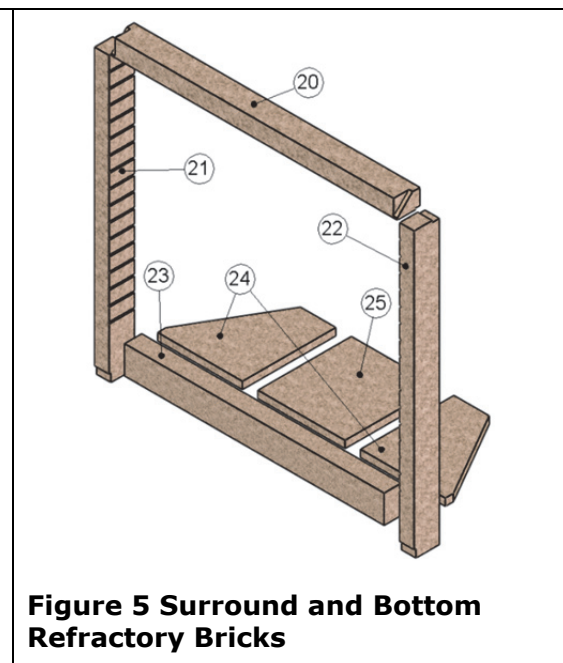
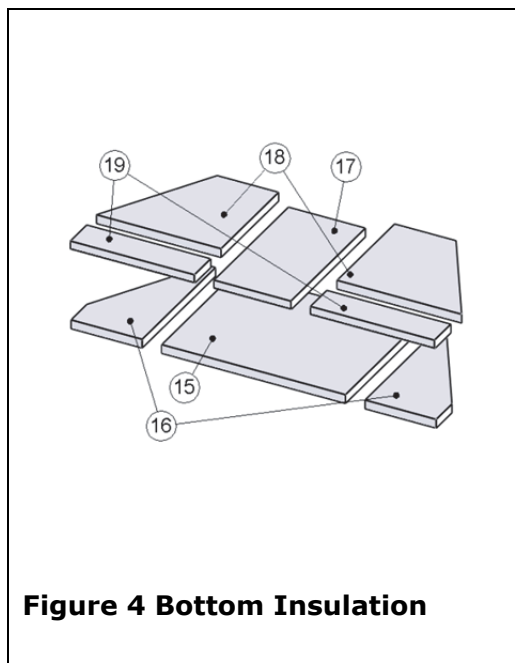
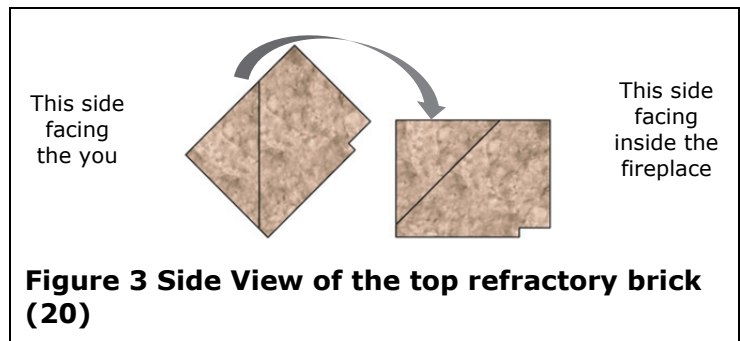


Figure 2 Vermiculite Panels Installation

13. Install the lower right side refractory brick (13), trimmed part up. Hold it with one hand or place it on a slight angle so it stays in place.
14. Insert the upper right side refractory brick (14) on the right side of firebox all the way to the top. Ensure it goes behind the support at the top of the firebox and try not to knock the brick against the support. Gently slide the upper right side refractory brick down to interlock the refractory bricks together. They will stay in place by themselves.
15. Tilt the throat refractory brick (1) vertically and slide it right until it is centered, inserting its right tab into the round cut of the upper right side refractory brick (14).

Refer to Figure 3, Figure 4 and Figure 5 to continue with the installation procedure below:

16. Find the two front refractory bricks (21 and 22) and place one on your left and one on your right.
17. To install the next refractory bricks, make sure the door is fully raised. Hold the top refractory brick (20) in the orientation shown on the left side of Figure 3. From inside the fireplace, slide the brick along the front facing inside the firebox, up to the top. Rotate the brick 45° to the back as shown in Figure 3. The notch will fit to the front angle. Hold it with one hand.



18. While holding the top refractory brick (20), install the front left (21) and right (22) refractory bricks on each side. The front and left bricks should now support the top refractory brick.

19. Clean out the bottom of firebox and install **both** layers of the bottom insulating panels as shown in Figure 4. Make sure to have all insulating panels tight together and as close to the front as possible.
20. Install the ash step (23), tight to the front.
21. Install all the bottom refractory bricks (24 and 25) as shown in Figure 5.

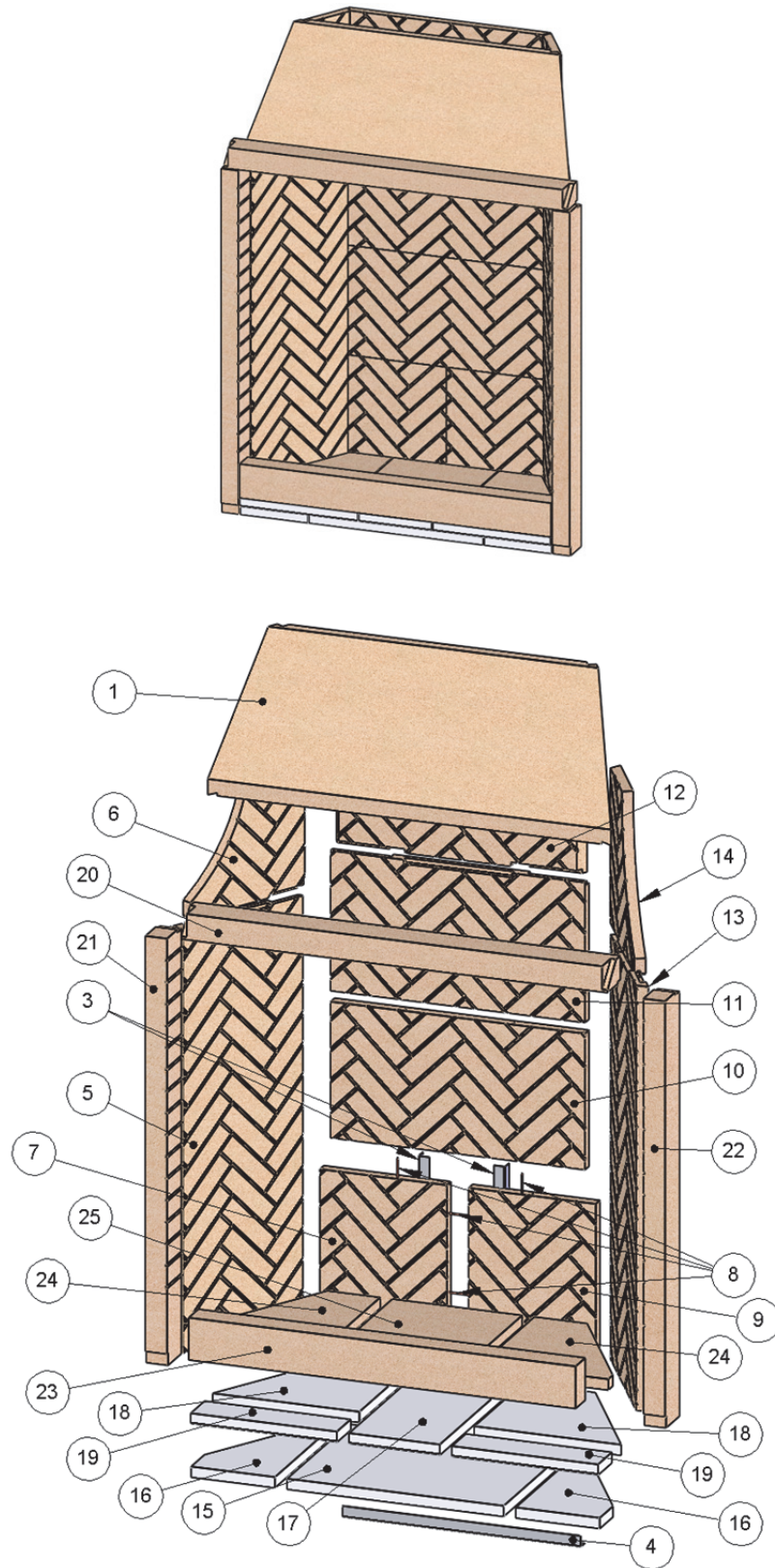


Figure 6 Overall View of Vermiculite Panels